

SMART COMMUNITY WITH CREATE A MANAGEMENT SYSTEM FOR STREET LIGHTS

H.N. Jasim Z.N. Kamal S.F. Jabbar

*Computer Techniques Engineering Department, Al Mustaqbal University, College, Hillia, Babil, Iraq
hawraa.neama@mustaqbal-college.edu.iq, zahraaniema@mustaqbal-college.edu.iq
sundos.firas@mustaqbal-college.edu.iq*

Abstract- Human control, light sensitive control, and easy timing control are all features of traditional street lighting control systems, but they consume a lot of energy and make it difficult for operators to manage street-lights, which makes administration and maintenance difficult. This project is built on the concept of maximizing energy conservation while minimizing energy loss. This study offers a comprehensive demonstration of how modern street lighting can be constructed. The planned work is performed with the help of an Arduino ide and sensors, which will regulate the electricity based on the detection of objects at night and with features that detect night and day to automatically turn on and off the lights. The attractiveness of the planned work is that it reduces unneeded electrical waste, extends the life of streetlights by not leaving them on all night, it also aids in the improvement of work measures. The suggested notion, we believe, will be valuable in future sensor systems.

Keywords: Street-Lighting, Arduino Ide, IR and LDR Sensors, Switches.

1. INTRODUCTION

Intelligent street lights have become an important aspect of the construction of smart cities as a result of growing urbanization and ongoing technological advancement [1]. Automation systems [2-4] are preferred over manual methods because they conserve energy by reducing the amount of energy used. Classical street lighting circuits use a lot of energy because they operate from late at night to early in the morning, and they have a high installation cost, which is a huge disadvantage for developing our lives [5]. Lighting can amount about 10 / 38 percent of the overall energy bill in most cities across the world [3]. According to studies, darkness causes a significant number of wrecks and accidents, particularly those involving pedestrians; walker accidents are 3-6 times more likely in the nighttime than they are daytime.

The use of lighting systems has been shown to minimize walker collisions by nearly half [6]. The standard light system had only 2 choices: ON or OFF, which was inefficient because these activities resulted in energy loss due to the continued usage of maximum

voltage. Controlling the street-lights with a Light-Dependent-Resistor (LDR) [7], an Infrared Radiation (IR) sensor [8], hardware and software of Arduino [9, 10] has previously been presented [11-16]. The street light systems described in prior research are based on LDR [14-16], and the majority of them are infrared sensors controlled by timers and analogue devices. Photovoltaic solar sensors [17, 18] were used to turn off lamps when the brightness of the sun is detected. Additionally, solar-powered streetlight control [19] and a ZigBee-based streetlight control system [20] have been introduced.

With increased utilization, the cost of real-time systems has decreased in recent years. However, with the exponential advancement of electrical and software technology, real-time models of large-scale power systems can now be created and implemented [21]. We present and illustrate an automated system based on object detection at night in this study. Street-lights will be switched off during the day under the proposed automation system. However, during the night, it will stay low and switch on (peak efficiency) when an obstacle is detected. The Arduino Uno is a microcontroller designed by Arduino, the LDR, the IR sensor, and resistors are all used to perform this task.

2. HARD DEVICES AND PROCEDURES

One of the most important components in the power industry is digital technology. Based on the intricacy of the production, a high level of process automation is necessary [22]. Figure 1 depicts the all-functioning apparatus and elements of the suggested lighting idea for ease of understanding. Input and output are represented by (I/P and O/P) respectively. The value of sunlight's brightness is initially sensed by the LDR and sent to the microcontroller.

The Arduino then transforms it into values that are discrete, ranging from 0 to 1023, and determines whether the obtained value is over the target level, in which case the LEDs will remain turned off; if the obtained value is less than the target level, the LEDs will be turned on and the system will understand that it is night time, so the LEDs will glow with slight. HIGH LEDs will illuminate if the IR sensor is recognizing anything or obstacle. The

Arduino also detects the total number of things that cross the road at night using an IR sensor and shows this on the digital display.

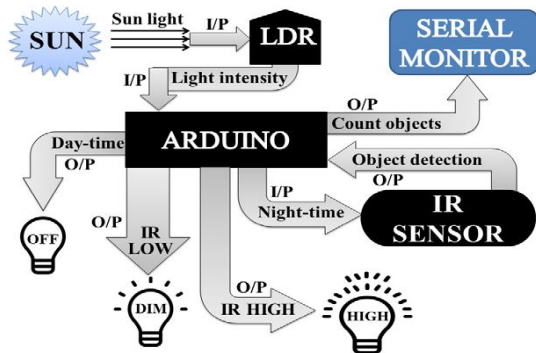


Figure 1. The automatic street-light control system's architectural design [23]

2.1. Elements for Electronic Circuit

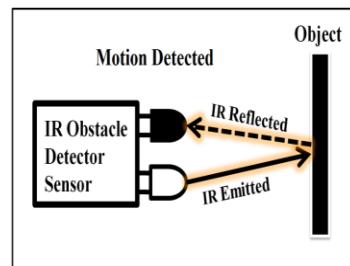
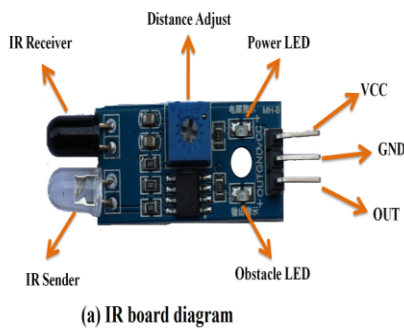
Electronic circuits are constructed using a variety of electronic elements. The elements listed in Table 1 are included in our proposed circuit designs.

Table 1. Electronic equipment that was employed to create the suggested system [7, 8, 9, 10, 24, 25]

No	Equipment	Specifications
1	LDR [7]	Voltage: 3-5 Volt DC, Dimeter: 5 mm
2	Arduino Uno [9, 10]	Voltage: 6-20 Volt
3	IR obstacle avoidance sensor [8]	Voltage: 3-5 Volt DC, Range: 2-30 cm; Angle: 35 degree
4	LEDs [24]	Voltage: 5 Volt
5	Resistors [25]	100 Ohm, 220 Ohms

2.1.1. Sensor Type IR

An infrared device (IR) is a type of electrical gadget that recognizes certain properties in its surroundings. It does so by emitting or detecting infrared light. (IR) sensors can detect the presence of an object as well as analyze the heat it emits. The receiver part of the IR system takes and decodes data from an infrared remote control in order to send data to another part of the system. An IR emitter is a light source that emits light in the infrared range. As shown in Figure 2, an LED is a device that transmits infrared signals from a remote control [26].



(a) IR board diagram

(b) Working of IR sensor

Figure 2. The parts of IR sensor diagram [26]

2.1.2. Photoresistors Sensor (LDR)

The resistance offered by the LDR sensor changes with light intensity; as light intensity grows, the resistance offered by the sensor lowers, and as light intensity decreases, the resistance offered by the sensor increases. As a result, as the light intensity changes, it behaves as a variable resistor. In Figure 3, LDRs are very important in dark/light sensor circuits, as they aid in the automatic on/off of street lights. An LDR's resistance is normally quite high, up to 1000000 ohms, but when it is lighted with light, it reduces drastically [27].

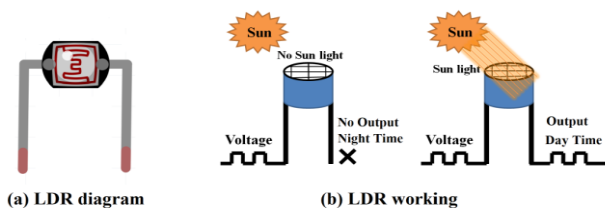


Figure 3. LDR shape and its functioning phenomenon [27]

2.1.3. Shield of Arduino Type Uno

The Arduino type UNO, microcontroller board is based on the chip called (ATmega328P) and was manufactured by Arduino.cc. The board includes digital and analog input or output ports for connecting to some other components. The board has six analog pins and fourteen digital pins. It could be written in the C++ programming language and have a type B USB port. It can be run with a USB cable or a 9-volt external battery as Figure 4 [10].

2.1.4. Light-Emitting-Diodes or LEDs

A LED is a diode type P-N junction that gives light waves when triggered, as seen in Figure 5. When a voltage is given to the components of an LED, electrons within Light waves are produced when LEDs recombine with holes, emit energy in the form of photons. The Dim/Full capability of LEDs is possible [24].

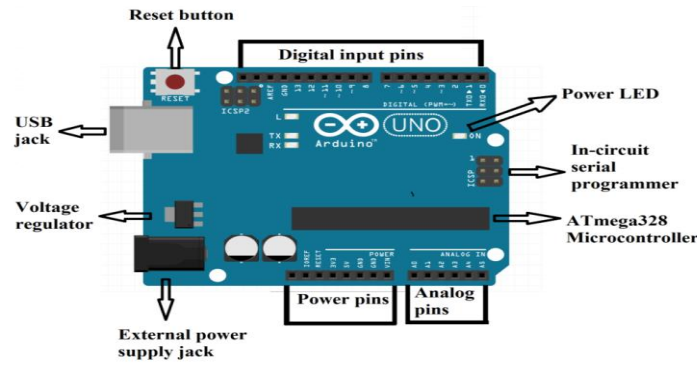


Figure 4. Board of Arduino uno with description [10]

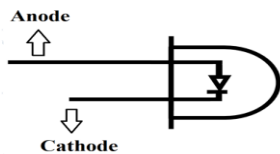


Figure 5. Light-Emitting-diode shape [24]

2.1.5. Resistors

As shown in Figure 6, a resistor is a passive electrical component that is being used to prevent or regulate the transfer of electrons through other electronic components such as LEDs and sensors. It operates on the concept of Ohm's law. This keeps the voltage from going too high [29].

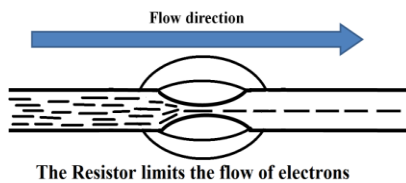


Figure 6. The basis of the operation of a resistor [29]

2.2. A Night-Time Object Detection-Based Automation System

Figures 7 and 8 demonstrate the circuit architecture for an intelligent street lighting system with DIM light capability depending on recognition of objects by using microcontroller. The lights will only turn to HIGH when an object is detected in this situation, else the lights will stay OFF during the day and DIM throughout the night. A single Arduino Uno, 5 LEDs, 6 resistors, 5 IR sensors, and an LDR sensor were utilized in this experiment.

One line of the LDR sensor will be connected to analog pin (A0) in microcontroller, the other line to the pin known VCC, and a resistor to the earth pin. In addition, the discrete values from 0 to 1023 are modified to a value of 10 to determine whether it is night or day and it is worth noting. All of the LEDs' positive terminals are linked to pins 3, 10, 5, 6 and 9, indicating that the streetlights are the Arduino signals' outputs.

In addition, as indicated in the circuit design in Figure 7, connect the earth of all LEDs to the earth port. The sensors type IR are connected to a Microcontroller port through pins A1, A2, A3, A4, and A5, which are the Arduino board's input signals, respectively.

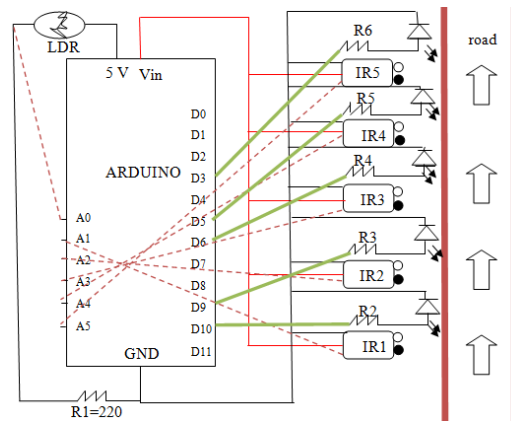


Figure 7. A street-lighting automatic control system

Consequently, all IR sensors' ground is linked to the earth port, on the other hand each of IR sensors VCC is connected to 5 volts in microcontroller. If there is no motion, start by setting the IR sensors to HIGH. After wiring all of these items to the relevant pins in microcontroller as shown in Figure 7, the microcontroller Software is downloaded and installed from the official website "www.arduino.cc" then the computer is connected to it via USB connection, and the driver software is installed on it. Allowing you to execute code on the Arduino programming.

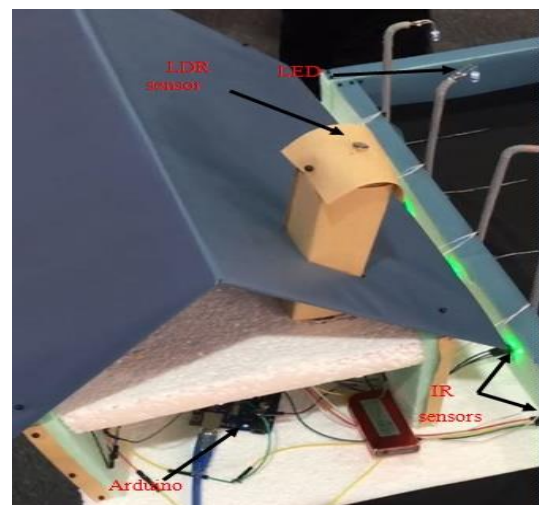


Figure 8. A street-light application

3. DISCUSSION OF THE FINDINGS

As shown in Figure 9, the first step of the process is for the LDR sensor to sense the light falling on it from the environment and then send that information to the Arduino. The receiving data will be converted into discrete values ranging from zero to 1023 (where zero represents max. darkness and 1023 represents max. brightness), after that Arduino converts there are values in to output voltages from 5 volt as HIGH to 0 volt as DIM. Output voltages account from compare it with target value.

On a procedural level, the user can choose the target value at random, and in this example, the target value is set at 10. If the detected amount is less than the target value, the output will be 2.5 V in dark conditions. And in line with what has been said When the LEDs are dimmed, they will glow at half their max. brightness, and when the sun is shining brightly, the incoming data value will be higher than the target value, and the V_o will be zero volt, causing the LEDs to turn off completely.

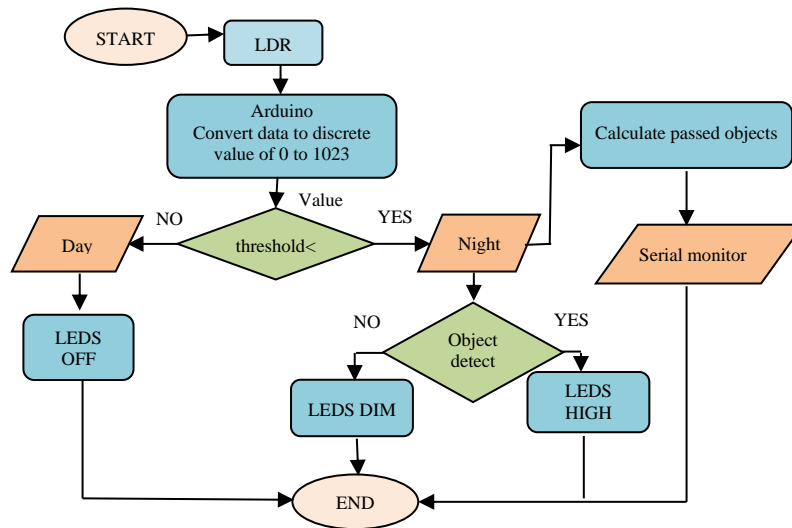


Figure 9. The flowchart of the automated street-light system

The IR light is continually transmitted by the IR transmitter. When something covers one of the sensor devices (IR), the outgoing beams contact the body and rebound to the sensor part, known as the receiver, signaling a movement to the microcontroller. The microcontroller will change the LEDs state from DIM state into HIGH state. The next LED will be turned from DIM state to HIGH state when the object moves to the front and covers the next (IR) sensor, and the previous LED will be switched from HIGH state to DIM state.

This step is repeated for all column. The most recent implementation of the automated street-lighting system is shown in Figure 10, which uses an Arduino Uno to switch to DIM state at night and HIGH state when a vehicle passes by. Only after LDR sensor has measured the perceived absolute magnitude of sunlight with the desired value equal to 10, Figure 10a depicts daytime with no LEDs lighting. Figure 10b depicts darkness because the LDR's measured intensity of sunlight was less than the target value of equal to 10. In addition, there was no car or obstacle in the road detected by each of the IR sensors, so the DIM state for LEDs was triggered.

Figures 10c and 10d show the attractiveness of the developed framework, now with premise that only the LEDs that detect the presence of the object will light up, while the remaining LEDs will remain in their DIM state. These findings indicate the efficacy of the suggested concept and provide instant support for the model. These types of applications can be used in street lights, object headlights, hotel and malls parking lights, and private

residences. Furthermore, Figure 11, depicts the total number of devices that travelled across the road, and Table 2 summarizes the derived results of Figure 10.

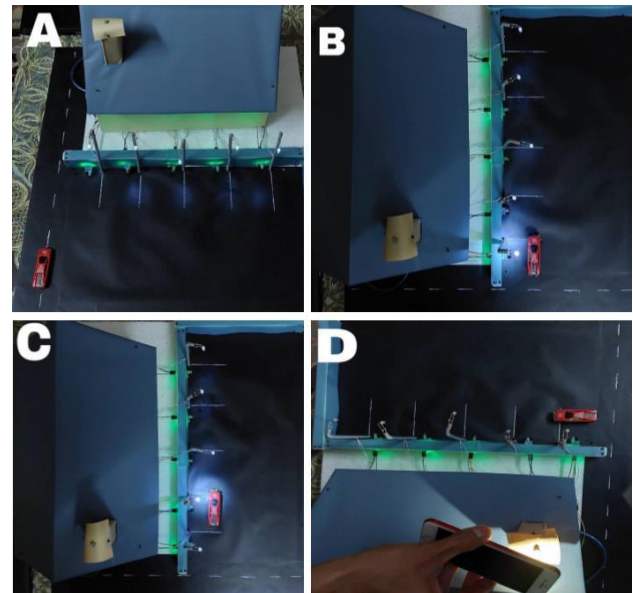


Figure 10. Results of an automated street-lights system
 (a) The LEDs do not shine in the day scenario
 (b) The DIM LEDs are lighting in the darkness representation
 (c) In front of the first infrared sensor, there is an object; the first LED is illuminated (high), while the others are dim
 (d) Movement in front of the second IR sensor; just the second LED is lit up, while the others are off

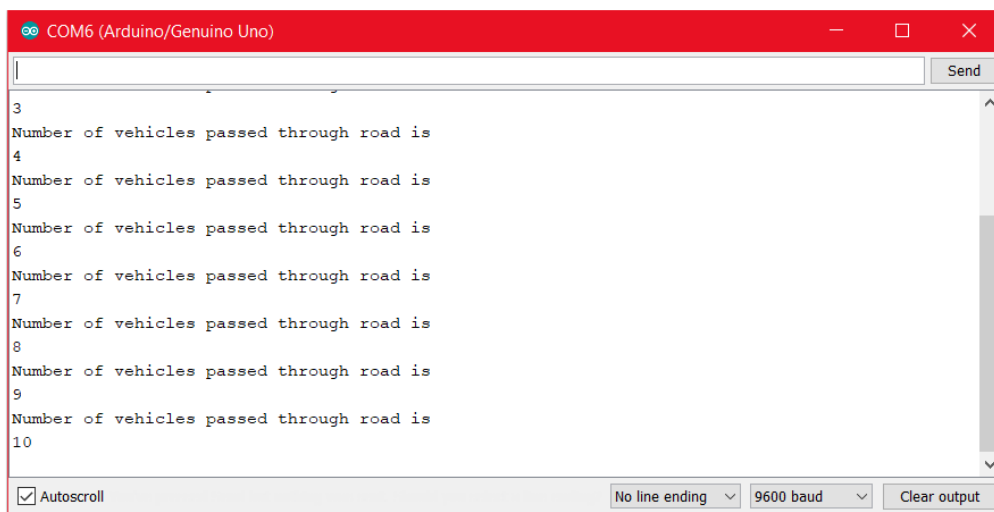


Figure 11. Output of a serial monitor depending on the traffic flow

Table 2. Outcomes of the implementation

Name of Equipment	Data Will be entered	Outcomes	Notes
Examining the (Arduino)	Signal in digital format	LEDs are switched on and off at varying intervals.	Hardware is precise.
Examining the (LDR) sensor	Values of outside light levels	The dim/high LEDs glow in response to the light levels, which is displayed on the serial monitor.	Hardware is precise.
Examining the (IR)sensor	Detect Motion	When motion is detected, the high LEDs light up.	Hardware is precise.

The project’s objective, as we’ve seen in past research, is to examine auto-intensity regulation of solar-powered street lights. The advantages and disadvantages as shown in Table 3.

Table 3. Advantages and disadvantages

Comparison	Old lighting street	New lighting street
Power consumption	High	Low
Cost	High	Low
Stability	Low	High
Maintenance	High	Low
Monitoring	Not found	Found

5. CONCLUSIONS

The suggested street-light automation system is the most cost-effective and secure method of reducing energy usage. It allows us to avoid the problems of manual switching that plague today’s world, and, more importantly, it allows us to reduce primary costs and maintenance. With cool-white light output, the LED reduces energy consumption and lasts longer than high-energy-consumption lamps. This system can be modified to use new and renewable energy sources by replacing standard LED units with solar-based LED units. Please remember that because these are long-term benefits, the initial cost will never be an issue since this return on investment is so short.

This technique is simple to apply to street lighting, home automation, developed cities monitoring the farming place, mall, hospital, airport, industry, university, parking lights, and among other applications.

REFERENCES

[1] X.U. Xiaoqiang, Z. Ao, L. Xiaohan, “Design and Implementation of Street Light Control System Based on Power Line Carrier Communication”, *Procedia Computer Science*, Vol. 155, pp. 734-739, Wuhan, China, August 2019.

[2] I. Oditis, J. Bicevskis, “The Concept of Automated Process Control”, *Comput. Sci. Inf.*, Vol. 756, pp. 193-203, 2010.

[3] D.A. Devi, A. Kumar, “Design and Implementation of CPLD Based Solar Power Saving System for Street Lights and Automatic Traffic Controller”, *International Journal of Scientific and Research Publications*, Issue 11, Vol. 11, No. 2, pp. 193-196, November 2012.

[4] E. Adetiba, V.O. Matthews, et al., “Automatic Electrical Appliances Control Panel Based on Infrared and Wi-Fi: A framework for Electrical Energy Conservation”, *Int. J. Sci. Eng. Res.*, Vol. 2, pp. 1-7, 2011.

[5] M.C.V.S. Mary, G.P. Devaraj, et al., “Intelligent Energy Efficient Street Light Controlling System Based on IOT for Smart City”, *IEEE International Conference on Smart Systems and Inventive Technology (ICSSIT)*, pp. 551-554, Tirunelveli, India, 2018.

[6] K. Nirosha, et al., “Automatic Street Lights On/Off Application Using IOT”, *International Journal of Mechanical Engineering and Technology*, Vol. 8, pp. 38-47, 2017.

[7] www.electrical4u.com/light-dependentresistor-ldr-working-principle-of-ldr/.

[8] https://wiki.eprolabs.com/index.php?title=IR_Obstacle_Sensor/.

[9] L. Leo, “L. Working Principle of Arduino and Using it as a Tool for Study and Research”, *Int. J. Control Autom. Commun. Syst.*, Vol. 1, No. 2, pp. 21-29, April 2016.

[10] <https://store.arduino.cc/usa/arduino-uno-rev3/>.

[11] R. Salvi, S. Margaj, K. Mate, P.B. Aher, "Smart Street Light Using Arduino Uno Microcontroller", *Int. J. Innov. Res. Comput. Commun. Eng.*, Vol. 5, pp. 5203-5206, 2017.

[12] P.C. Cynthia, V.A. Raj, S.T. George, "Automatic Street Light Control Based on Vehicle Detection Using Arduino for Power Saving Applications", *Int. J. Electron. Electr. Comput. Syst.*, Vol. 6, No. 9, pp. 291-295, 2017.

[13] M. Bapat, S. Ghotekar, "Intelligent Street Light Control Management System Using Arduino", *Int. J. Adv. Sci. Res.*, Vol. 3, pp. 34-38, 2018.

[14] A.S. Jalan, "A Survey on Automatic Street Lightning System on Indian Streets Using Arduino", *Int. J. Innov. Res. Sci. Eng. Technol.*, Vol. 6, pp. 4139-4144, 2017.

[15] S. Mishra, S. Gupta, S. Singh, T. Tiwari, A. Mohan, "Arduino Based LED Street Light Auto Intensity Control System", *Int. J. Adv. Res. Eng. Technol. Sci.*, Vol. 3, pp. 73-77, 2016.

[16] K. Rath, "Arduino Based: Smart Light Control System", *Int. J. Eng. Res. Gen. Sci.*, Vol. 4, pp. 784790, 2016.

[17] C. Thapa, D. Rasaily, T. Sudhakar, R. Wangchuk, A. Pradhan, "Auto Intensity Control of Street Light with Solar Tracker Using Microcontroller", *Int. J. Eng. Trends Technol.*, Vol. 33, pp. 369-372, 2016.

[18] R. Banerjee, "Solar Tracking System", *Int. J. Sci. Res. Publ.*, Vol. 5, pp. 1-7, 2015.

[19] T. Rajasekhar, K.P. Rao, "Solar Powered LED Street Light with Auto Intensity Control", *Int. J. Tech. Innov. Mod. Eng. Sci.*, Vol. 3, pp.1-4, 2017.

[20] M. Srikanth, K.N. Sudhakar, "Zigbee Based Remote Control Automatic Street Light System", *Int. J. Eng. Sci. Comput.*, pp. 639-643, 2014.

[21] E.E. Novruzova, "Newest Innovative Technologies in Electric Power Industry", *International Journal on Technical and Physical Problems of Engineering (IJTPE)*, Issue 42, Vol. 12, No. 1, pp. 6-9, March 2020.

[22] O. Boncukcu, S.S. Tezcan, O. Tanidir, "Modeling and Verification of a Reduced Network in Real-Time Simulator", *International Journal on Technical and Physical Problems of Engineering (IJTPE)*, Issue 34, Vol. 10, No. 1, pp. 16-21, March 2018.

[23] M. Zain, U. Saleem, "An Automation System for Controlling Streetlights and Monitoring Objects Using Arduino", *Sensors*, Vol. 18, pp. 3-6, 2018.

[24] www.ledsupply.com/blog/how-does-a-5mm-led-work/.

[25] www.explainthatstuff.com/resistors.html.

[26] H. Satyaseel, G. Sahu, "Light Intensity Monitoring and Automation of Street Light Control by IOT", *Int. J. Innovations Adv. Comput. Sci.*, Vol. 6, No. 10, pp. 34-40, 2017.

[27] C. Gouthami, C. Santosh, A.P. Kumar, A. Karthik, and K.R. Ramya, "Design and Implementation of Automatic Street Light Control System using Light Dependent Resistor", *International Journal of Engineering Trends and Technology (IJETT)*, Vol. 35, No. 10, May 2016.

[28] K. Nirosha, B.D. Sri, C. Mamatha, B. Dhanalaxmi, "Automatic Street Lights On/Off Application Using IOT", *International Journal of Mechanical Engineering and Technology*, Vol. 8, pp. 38-47, 2017.

[29] A. Jalan, G. Hoge, et al., "Campus Automation Using Arduino", *Int. J. Adv. Res. Electr. Electron. Instrum. Eng.*, Vol. 6, No. 6, pp. 4635-4642, 2017.

BIOGRAPHIES



Hawraa Neema Jasim was born in Hilla, Babil, Iraq, in 1989. She received the B.Sc. degree in Electrical Engineering and the M.Sc. degree in Electronic and Communication Engineering both from Babylon University, Hilla, Babil in 2011 and 2017, respectively. Currently, she is an Assistant Lecturer at Computer Techniques Engineering Department, Al Mustaqbal University College, Hilla, Babil, Iraq. Her research interests are in the area of electrical, robotics and communication systems.



Zahraa Niema Kamal was born in Hilla, Babil, Iraq, in 1990. She received the B.Sc. degree in Electrical Engineering and the M.Sc. degree in Electronic Engineering both from Babylon University, Hilla, Babil in 2012 and 2019, respectively. Currently, she is an Assistant Lecturer at Computer Techniques Engineering Department at Al Mustaqbal University College, Hilla, Babil, Iraq. Her research interests are in the area of electrical and robotics SYSTEMS.



Sundos Firas Jabbar was born in Hilla, Babil, Iraq, in 1994. She received the B.Sc. and M.S.E. degrees in Information Technology from Babylon University, Hilla, Babil, Iraq in 2016 and 2021, respectively. Currently, she is an Assistant Lecturer at Computer Techniques Engineering Department at Al Mustaqbal University College, Hilla, Babil, Iraq. Her research interests are in the area of networks and electrical systems.